

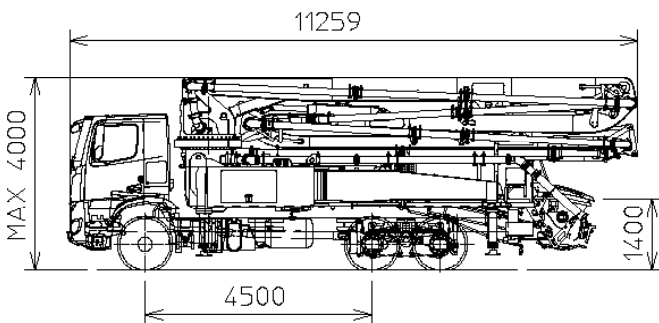
K36L

TRUCK-MOUNTED CONCRETE BOOM PUMP

Placing boom	B4Z 36/32
Pumping unit	HP1608EC HP1606H PTO
Driven by Chassis	3-4 axles



Dimensions



Dimensions varying according to truck assembly

