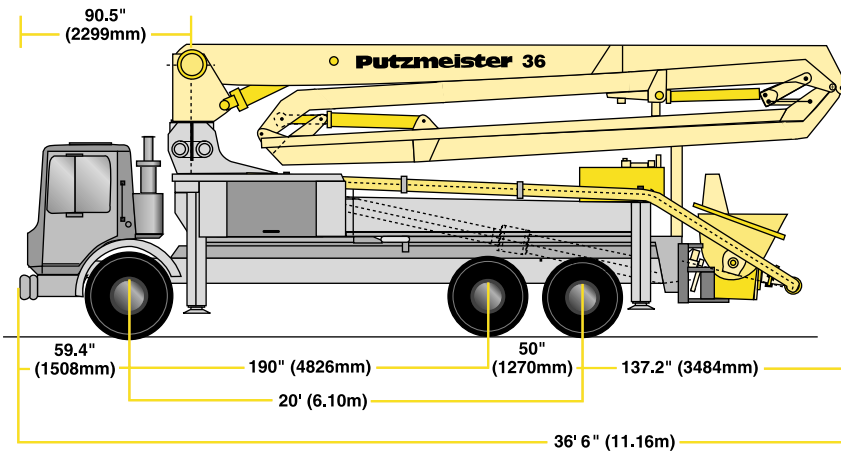


# Specifications

## 36-Meter Concrete Pump



### Truck-Mounted Specifications

Based on Model MACK MR688S

|                     |            |            |
|---------------------|------------|------------|
| Length              | 36'6"      | (11.16m)   |
| Width               | 8'2"       | (2.50m)    |
| Height              | 13'1"      | (3.98m)    |
| Wheelbase           | 215"       | (5461mm)   |
| Front axle weight   | 19,360 lbs | (8,780kg)  |
| Rear axle weight    | 36,365 lbs | (16,493kg) |
| Approx total weight | 55,725 lbs | (25,273kg) |

Weights are approximate and include pump, boom, truck, full hydraulic oil, driver and some fuel. Varies with options selected.

Dimensions will vary with different truck makes, models and specifications.

### Boom Specifications • Roll and Fold Design

#### Height & Reach

|                            |        |          |
|----------------------------|--------|----------|
| Vertical reach             | 117'2" | (35.70m) |
| Horizontal reach           | 105'2" | (32.05m) |
| Reach from front of truck* | 97'7"  | (29.75m) |
| Reach depth                | 79'8"  | (24.30m) |
| Unfolding height           | 27'3"  | (8.30m)  |

#### 4-Section Boom

|                          |       |         |
|--------------------------|-------|---------|
| 1st section articulation | 94°   |         |
| 2nd section articulation | 180°  |         |
| 3rd section articulation | 180°  |         |
| 4th section articulation | 255°  |         |
| 1st section length       | 28'7" | (8.70m) |
| 2nd section length       | 25'8" | (7.83m) |
| 3rd section length       | 25'4" | (7.71m) |
| 4th section length       | 25'7" | (7.81m) |

#### General Specs

|  |       |         |
|--|-------|---------|
| Pipeline size (ID) metric ends with couplings  | 5"    | (125mm) |
| Rotation                                       | 5.5"  | (140mm) |
| End hose-length (heavy duty)                   | 365°  |         |
| End hose-diameter                              | 10'   | (3m)    |
| Outrigger spread L-R-front telescopic diagonal | 5"    | (125mm) |
| Outrigger spread L-R-rear swing-out            | 20'8" | (6.30m) |
|  | 23'   | (7.0m)  |

### Pump Specifications

**36.12L**                      **36.16H**

.20H pump also available

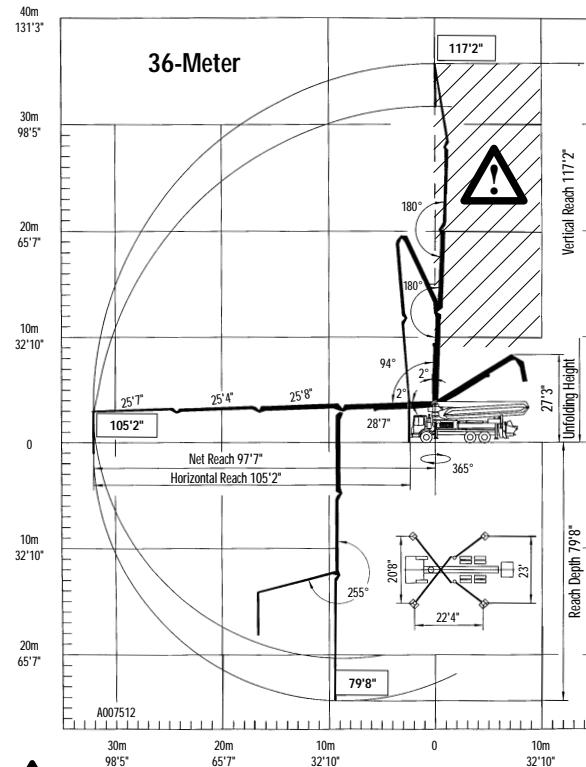
|                                  |   |   |
|----------------------------------|---|---|
| Output- rod side                 | 142 yd <sup>3</sup> /hr (109m <sup>3</sup> /hr) | 210 yd <sup>3</sup> /hr (160m <sup>3</sup> /hr) |
| piston side                      | 85 yd <sup>3</sup> /hr (65m <sup>3</sup> /hr)   | 146 yd <sup>3</sup> /hr (112m <sup>3</sup> /hr) |
| Pressure- rod side               | 1015 psi (70 bar)                               | 1233 psi (85 bar)                               |
| piston side                      | 1624 psi* (112 bar)*                            | 1885 psi* (130 bar)*                            |
| Concrete cylinder diameter       | 9" (230mm)                                      | 9" (230mm)                                      |
| Stroke length                    | 83" (2100mm)                                    | 83" (2100mm)                                    |
| Max strokes per minute- rod side | 21  | 31  |
| piston side                      | 13  | 21  |
| Volume control                   | 0-Full  | 0-Full  |
| Vibrator                         | Standard  | Standard  |
| Hard chromed concrete cylinders  | Standard  | Standard  |
| Hydraulic system                 | Free Flow                                       | Free Flow                                       |
| Hydraulic system pressure        | 5075 psi (350 bar)                              | 5075 psi (350 bar)                              |
| Differential cylinder diameter   | 5.1" (130mm)                                    | 5.5" (140mm)                                    |
| Rod diameter                     | 3.1" (80mm)                                     | 3.1" (80mm)                                     |
| Maximum size aggregate           | 2.5" (63mm)                                     | 2.5" (63mm)                                     |
| Water Tank                       | 185 gal (700L)                                  | 185 gal (700L)                                  |

Maximum theoretical values listed.

\* Applies to units mounted on FMA stock truck-MACK MR688S

• Standard delivery line system rated at max line pressure of 1233 psi (85 bar)

Right to make technical amendments reserved.



End hose not to be operated in caution area.



**Putzmeister America**  
1733 90th Street  
Sturtevant  
Wisconsin 53177 USA

Telephone (262) 886-3200  
(800) 884-7210  
Facsimile (262) 884-6338  
www.putzmeister.com