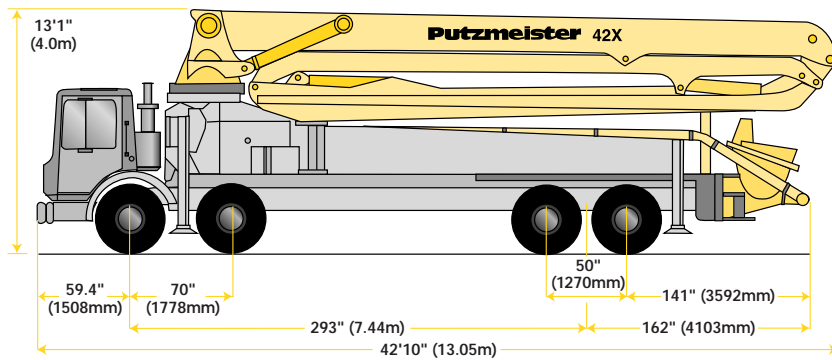


# Specifications

## 42X-Meter Concrete Pump



### Truck-Mounted Specifications

Based on Model Mack MR 688S with .16H pump cell.

Length	42'10"	(13.05m)
Width	8'2"	(2.50m)
Height	13'1"	(4.00m)
Wheelbase	293"	(7442mm)
Front axle weight	33,431 lbs	(15,178kg)
Rear axle weight	38,961 lbs	(17,688kg)
Approx total weight	72,392 lbs	(32,866kg)

Weights are approximate and include pump, boom, truck, full hydraulic oil, driver and some fuel. Varies with options selected.

Dimensions will vary with different truck makes, models and specifications.

### Boom Specifications • Roll and Fold Design

#### Height & Reach

Vertical reach	136'10"	(41.70m)
Horizontal reach	124'8"	(38.00m)
Reach from front of truck*	115'9"	(35.30m)
Reach depth	92'9"	(28.29m)
Unfolding height	32'6"	(9.90m)

#### 4-Section Boom

1st section articulation	99°
2nd section articulation	180°
3rd section articulation	180°
4th section articulation	255°

1st section length	33'4"	(10.16m)
2nd section length	30'10"	(9.40m)
3rd section length	30'2"	(9.19m)
4th section length	30'4"	(9.25m)

#### General Specs

Pipeline size (ID) metric ends with couplings	5" (125mm)
Rotation	365°
End hose-length (heavy duty)	10' (3m)
End hose-diameter	5" (125mm)
Outrigger spread L-R-front telescopic diagonal	26'3" (8.00m)
Outrigger spread L-R-rear swing-out	29'6" (9.00m)

### Pump Specifications

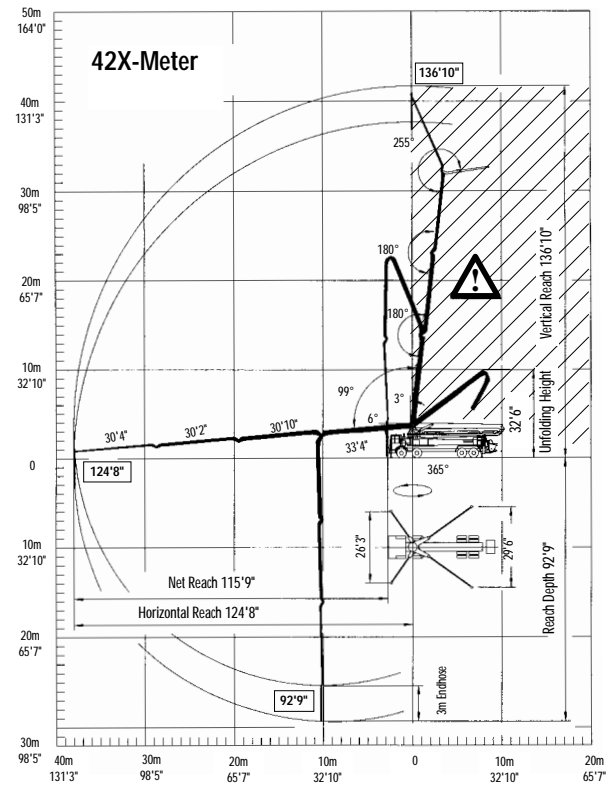
	42X.16H	42X.20H
Output- rod side	210 yd <sup>3</sup> /hr (160m <sup>3</sup> /hr)	—
piston side	146 yd <sup>3</sup> /hr (112m <sup>3</sup> /hr)	260 yd <sup>3</sup> /hr (200m <sup>3</sup> /hr)
Pressure- rod side	1233 psi (85 bar)	—
piston side	1885 psi* (130 bar)	1233 psi* (85 bar)*
Concrete cylinder diameter	9" (230mm)	11" (280mm)
Stroke length	83" (2100mm)	83" (2100mm)
Max strokes per minute-		
rod side	31	—
piston side	21	26
Volume control	0-Full	0-Full
Vibrator	Standard	Standard
Hard chromed concrete cylinders	Standard	Standard
Hydraulic system	Free Flow	Free Flow
Hydraulic system pressure	5075 psi (350 bar)	5075 psi (350 bar)
Differential cylinder diameter	5.5" (140mm)	5.5" (140mm)
Rod diameter	3.1" (80mm)	3.1" (80mm)
Maximum size aggregate	2.5" (63mm)	2.5" (63mm)
Water tank - pedestal	40 gal (150L)	40 gal (150L)
- outrigger	170 gal (640L)	170 gal (640L)

Maximum theoretical values listed.

\* Applies to units mounted on PMA stock truck-Mack MR 688S

• Standard delivery line system rated at max line pressure of 1233 psi (85 bar)

Right to make technical amendments reserved.



End hose not to be operated in caution area.



**Putzmeister America**  
1733 90th Street  
Sturtevant  
Wisconsin 53177 USA

Telephone (262) 886-3200  
(800) 884-7210  
Facsimile (262) 884-6338  
www.putzmeister.com